

# KS200/KS210 Server Cabinet Locks

*Integrated Wired Electronic  
Access Control Swing Handle  
Server Cabinet Locks*



Designed to integrate seamlessly with existing access control systems and protect critical assets from intrusion and expensive downtime.

Designed for use with standard 150 x 25 mm cutouts, the KS200/KS210 Server Cabinet Locks come standard with lock monitoring and utilizes an SFIC (Small Format Interchangeable Core) mechanical key override. An additional optional extended DPS monitoring sensor can be connected to ensure that the cabinet is closed, locked and secure.

The hard powered KS200/KS210 features HID multiCLASS SE® contactless card technology.

## Features

### Standard Features

- Hard Wired KS200 (Wiegand) or KS210 (RS-485 OSDP) Communication
- Integrated HID Mobile Access Enabled multiCLASS SE RFID Card Reader with Bluetooth Option (Bluetooth Available for KS210 Models only)
- Integrated Locked State and (Optional) Door Status Monitoring
- (Optional) Auxiliary Lock Output
- Cam Activated
- Non-Handed
- Mechanical 6 or 7-pin SFIC Key Override (Includes compatibility with MEDECO XT Intelligent Keys)
- Black Finish
- SecuriCare three-year, no-fault, no questions asked warranty



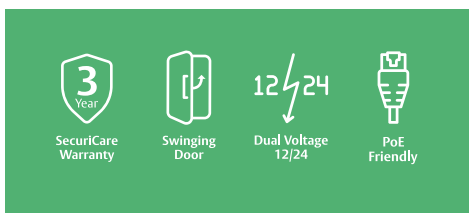
### Accessories

- **SFIC** Mechanical Key Override (sold separately)
  - » **SFIC** MEDECO X4 SFIC Cylinder & 2 keys (1 control, 1 user)
  - » **SFIC-BC** KS SFIC Blank, Black Plastic Core
  - » Compatible for use with **Medeco XT** Intelligent Keys & Cores
- **KS-DPS** Surface Mount DPS (external)
- **KS-CAM38** CAM: 38MM-1
- **KS-CAM45** CAM: 45MM-5
- **CBL6-QC12** K200/KS200 Lock Side Interface Cable: 6 foot, 12 conductor and Molex both ends
- **CBL12-QC12** K200/KS200 Lock Side System Interface Cable: 12 foot, 12 conductor and Molex one end, pinned one end
- **WT-1** Wiegand Test Box with LED Indicators
- **WT-2** Wiegand Test Box with LCD Backlit Display and LED Indicators

## Specifications

### Certifications

- Patents Pending & D725,992
- FCC Part 15 & Industry Canada (ICES) Compliant
- UL Listed (UL294 7th Edition)
- CE Certified (Compliant with Directive 2014/53/EU)
- RoHS3 Compliant
- CA Prop 65
- WPC Registered (Equipment Type Approval under O.M. No. ETA-WPC/Policy/2018-19 dated 26 February 2019)



# KS200 Series Cabinet Lock

## Electrical

- Dual voltage 12/24 VDC
- 130 mA at 12 or 24 VDC (peak)

## Holding Force

- Static strength 350 lbs

## Environmental

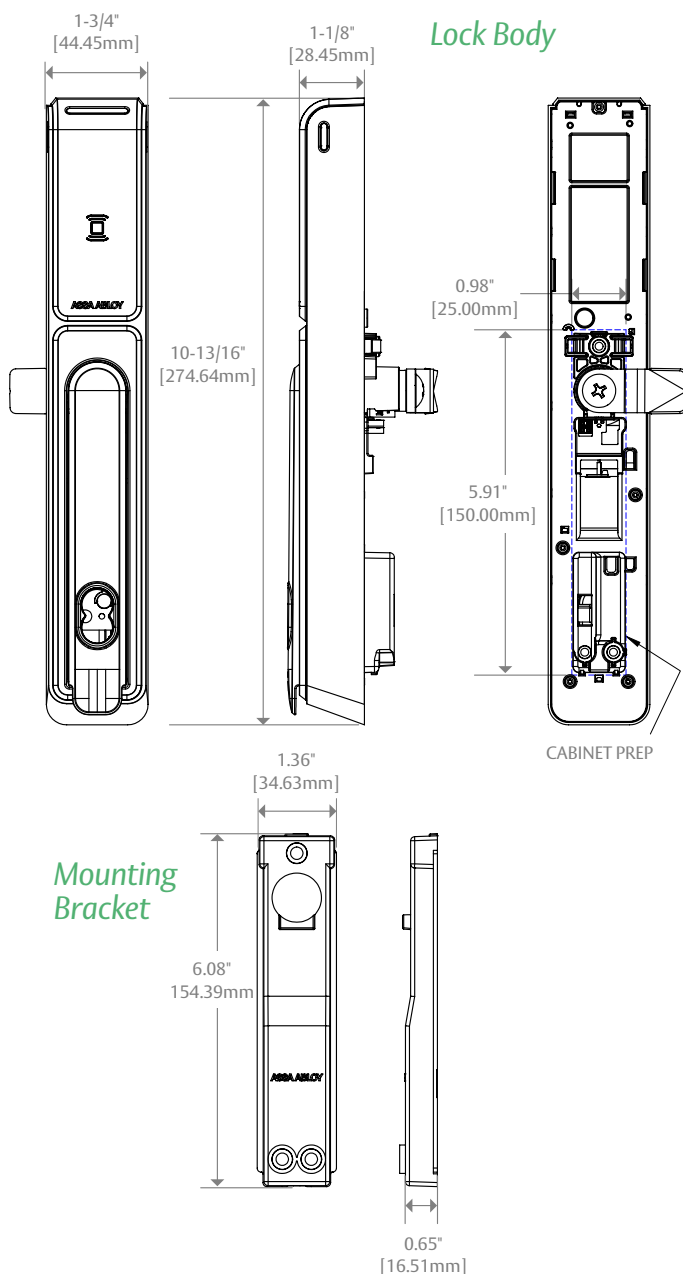
- Operating Temperature: 32° to 122°F [0° to 50°C]
- Indoor Use Only

## Card Technology

- Supports 13.56 MHz & 125 kHz credentials
- **High Frequency (13.56 MHz)**
  - » HID iCLASS®
  - » HID iCLASS SE® (SIO®-enabled)
  - » HID iCLASS® Seos®
  - » ISO 14443b UID
  - » MIFARE Classic™
  - » MIFARE DESfire™ EV1
  - » MIFARE DESfire™ SE
- **Low Frequency (125 kHz)**
  - » FeliCa™ (IDm)
  - » 40-bit PIV-I
  - » 64-bit PIV-I
  - » 75-bit PIV-I
  - » 128-bit PIV-I
  - » 200-bit PIV-I
- **Low Frequency (125 kHz)**
  - » HID® Prox
  - » EM4102
  - » AWID Prox
- HID BLE\* & NFC Mobile Access Enabled

\*HID BLE mobile access options supported by KS210 models when using BLE-enabled mobile phones

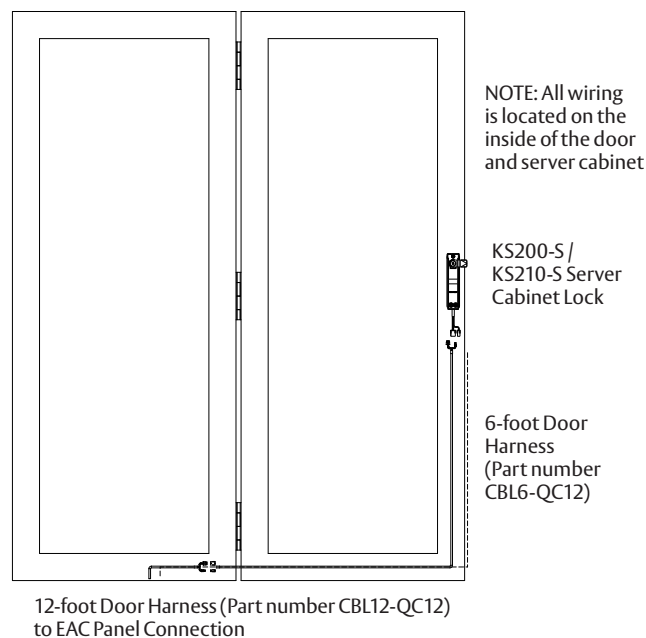
## Dimensions



| PART NO. | CAM                 | CAM LENGTH     | CAM DEPTH       |
|----------|---------------------|----------------|-----------------|
| Included | 38mm — 4 (standard) | 1-1/2" [38 mm] | 1" [25.4 mm]    |
| KS-CAM38 | 38mm — 1 (optional) | 1-1/2" [38 mm] | 1-1/10" [28 mm] |
| KS-CAM45 | 45mm — 5 (optional) | 1-3/4" [45 mm] | 7/10" [18 mm]   |

## Server Cabinet

## Door



## KS200 Series Cabinet Lock

## How to Order

| SERIES              | COMMUNICATION   | MODEL                                  | CARD TECHNOLOGY                        |           |  | COLOR   | KEYING OPTIONS |  |   |
|---------------------|-----------------|--|--|-----------|--|---|----------------|--|---|
| <b>KS</b>           | <b>200</b>      | <b>-S</b>                              | <b>-IPS</b>                            |           |  | <b>-B</b>   | <b>K1</b>      |  |   |
| Server Cabinet Lock | 200 Wiegand     | 640 Obsolete                           | STANDARD                               | IPS       | HID multiCLASS SE                                | HID Prox®, Kantech ioProx, HID iCLASS®, HID iCLASS SE® (SIO-enabled), HID iCLASS® Seos™, HID MIFARE® SE, HID DESFire® EV1 SE, MIFARE Classic, MIFARE DESFire EV1, NFC-enabled mobile phones   | B Black        | _ No SFIC or Blank Plastic Core (Standard)<br>BC SFIC blank (Black plastic core)<br>K1 MEDECO X4 SFIC Cylinder (DGV Commercial Keyway, Keyed Alike) with 2 Keys (1 Control & 1 User) |   |
|                     |                 | S Swing Handle 150x25 mm Cam Activated |  |           |  |   |                |  |   |
|                     | 210 RS-485 OSDP | S Swing Handle 150x25 mm Cam Activated | ICLASS ELITE (Restricted)*             | IPEXXXXX  | HID iCLASS Elite                                 | HID iCLASS Elite Keys (ICEXXX)*, HF Only  |                |  |   |
|                     |                 |  | BLE MOBILE ENABLED (KS210 MODELS ONLY) | BIPSXXXXX | HID multiCLASS SE                                | HID Prox®, Kantech ioProx, HID iCLASS®, HID iCLASS SE® (SIO-enabled), HID iCLASS® Seos™, HID MIFARE® SE, HID DESFire® EV1 SE, MIFARE Classic, MIFARE DESFire EV1, NFC-enabled mobile phones, Bluetooth Smart-enabled mobile phones (HID Mobile Keys (MOBXXXX))* |                |  |   |
|                     | PIV-I           | 210 RS-485 OSDP                        | S Swing Handle 150x25 mm Cam Activated | PIV-I     | IPV040   | RFID Only (HID iCLASS SE) PIV-I / 40 Bit FASC-N   |                |  | 40 Bit FASC-N message length: System + Credential (parity automatically removed), HF Only                           |
|                     |                 |  |  |           | IPV064   | RFID Only (HID iCLASS SE) PIV-I / 64 Bit FASC-N   |                |  | 64 Bit FASC-N message length: Agency + System + Credential + Series + Issue (parity automatically removed), HF Only |
| IPV075              |                 |  |  |           | RFID Only (HID iCLASS SE) PIV-I / 75 Bit FASC-N  | 75 Bit FASC-N message length: Agency + System + Credential + Expiration Date (parity automatically removed), HF Only  |                |  |   |
| PIV-I               | 210 RS-485 OSDP | S Swing Handle 150x25 mm Cam Activated | PIV-I                                  | IPV128    | RFID Only (HID iCLASS SE) PIV-I / 128 Bit FASC-N | 128 Bit FASC-N message length: Agency + System + Credential + Series + Issue + Pers Iden + Org/Ind + Pers/Org (parity automatically removed), HF Only   |                |  |   |
|                     |                 |  |  | IPV200    | RFID Only (HID iCLASS SE) PIV-I / 200 Bit FASC-N | 200 Bit complete FASC-N number (parity included), HF Only   |                |  |   |